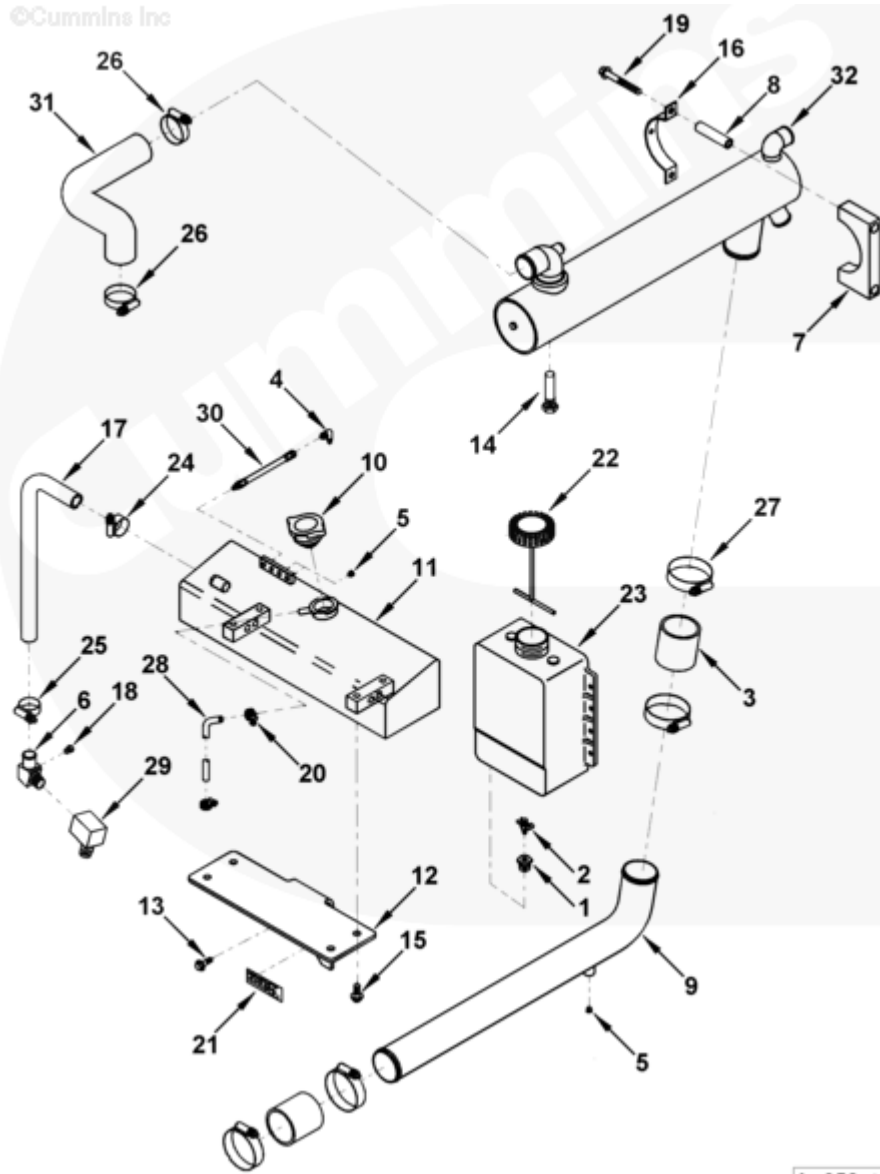




## Parts Catalog - Option Detail

Electronic Parts Catalog - Option Detail				
Option	Group	Graphic	Film Card	Date
HX9091	08.10	hx952gt	T	17-MAY-00
<b>Engines</b>	4B3.9, 6A3.4, 6B5.9, B GAS INTERNATIONAL CM556, B4.5, B4.5 CM2350 B129B, B4.5 CM2350 B146C, B4.5 CM2350 B147B, B4.5 RGT, B4.5S, B5.9 G, B5.9 GAS PLUS CM556, B5.9 LPG, B5.9 LPG PLUS CM556, B6.7 CM2350 B121B, B6.7 CM2350 B135B, B6.7 CM2350 B136C, B6.7 CM2350 B148B, B6.7 G CMOH6.0 B125, B6.7N CM2380 B150B, B6.7S, F3.8 CM2350 F120B, F3.8 CM2350 F128C, F3.8 CM2350 F132B, F3.8 F102, G3.9, G5.9, G5.9 CM558, ISB (CHRYSLER), ISB CM2150, ISB CM2150 E, ISB CM550, ISB CM850, ISB/ISD4.5 CM2150 B119, ISB/ISD4.5 CM2150 SN, ISB/ISD6.7 CM2150 B120, ISB/ISD6.7 CM2150 SN, ISB/ISD6.7 CM2880 B126, ISB3.9 CM2220 B107, ISB4.5 CM2150, ISB5.9G CM2180, ISB6.7 2010 DCX PICKUP, ISB6.7 2013 DCX CHASSIS CAB, ISB6.7 CM2150 SQ, ISB6.7 CM2250, ISB6.7 CM2350 B101, ISB6.7 CM2350 B103, ISB6.7 CM2350 B142, ISB6.7 CM2670 B153B, ISB6.7 G CM2180 B118, ISBE CM2150, ISBE CM800, ISBE2/ISBE3 CM850, ISBE4 CM850, ISD4.5 CM2150, ISD6.7 CM2880 D101, ISF2.8 CM2220, ISF2.8 CM2220 AN, ISF2.8 CM2220 EC, ISF2.8 CM2220 ECF2, ISF2.8 CM2220 F101, ISF2.8 CM2220 F117, ISF2.8 CM2220 F122, ISF2.8 CM2220 F126, ISF2.8 CM2220 F129, ISF2.8 CM2220 IAN, ISF3.8 CM2220, ISF3.8 CM2220 AN, ISF3.8 CM2220 F103, ISF3.8 CM2220 F110, ISF3.8 CM2220 F116, ISF3.8 CM2220 F134B, ISF3.8 CM2220 IAN, ISF3.8 CM2350 F109, ISF4.5 CM2220 F123, ISG11 CM2880 G106, ISG11 CM2880 G108, ISG12 CM2880 G107, ISG12 CM2880 G109, ISG12 G CMOH6.0 G111, QSB3.9 30 CM550, QSB3.9 CM2880 B138, QSB4.5 30 CM550, QSB4.5 CM2150 B108, QSB4.5 CM2250 B131, QSB4.5 CM2250 EC, QSB4.5 CM2350 B106, QSB4.5 CM2350 B122			



hx952gt

SMALL | MEDIUM | LARGE

Cart	Ref No	Part Number	Part Description	Required	Remarks
<a href="#">View My Cart</a>					
		HX9091	Heat Exchanger		<a href="#">Heat Exchanger...(More)</a>
					Turbocharger Location: Rear -
					Low Profile
					Application: Marine
					Exhangers Coolant Source: Sea
					Water
					Part Provided In A Kit: No
					Exhaust Manifold Location:
					Rear

					Plumbed To Water Inlet: Yes
					Coolant Package Type:
					Water-Water
					Option Includes Cylinder Head
					Vent.
					DEP May Use 3064947 In
					Places Of 3906619 Plug.
<input type="checkbox"/>	1	<a href="#">S 931 C</a>	Reducing Pipe Bushing	1	
<input type="checkbox"/>	2	<a href="#">S 962 E</a>	Draincock	1	
<input type="checkbox"/>	3	<a href="#">63549</a>	Plain Hose	2	
<input type="checkbox"/>	4	<a href="#">68139</a>	Male Adapter Elbow	1	1/8 NPTF X 7/16 - 20 (90).
<input type="checkbox"/>	5	<a href="#">68606</a>	Pipe Plug	2	1/8 NPT.
<input type="checkbox"/>	6	<a href="#">3003536</a>	Elbow Hose Coupling	1	
<input type="checkbox"/>		<a href="#">3281793</a>	Vibration Isolator	2	
	7	<a href="#">3281791</a>	Vibration Isolator	1	
	8	<a href="#">3281792</a>	Mounting Spacer	1	
	9	<a href="#">3349048</a>	Water Transfer Tube	1	
<input type="checkbox"/>	10	<a href="#">3393978</a>	Filler Cap	1	
<input type="checkbox"/>	11	<a href="#">3866789</a>	Expansion Tank	1	
<input type="checkbox"/>	12	<a href="#">3866790</a>	Expansion Tank Bracket	1	
<input type="checkbox"/>	13	<a href="#">3900630</a>	Hexagon Flange Head Cap Screw	2	M8 X 1.25 X 20.
<input type="checkbox"/>	14	<a href="#">3900631</a>	Hexagon Flange Head Cap Screw	1	M8 X 1.25 X 25.
<input type="checkbox"/>	15	<a href="#">3902460</a>	Hexagon Flange Head Cap Screw	4	M10 X 1.50 X 25.
<input type="checkbox"/>	16	<a href="#">3905057</a>	Retaining Clamp	1	
<input type="checkbox"/>	17	<a href="#">3905089</a>	Plain Hose	1	
<input type="checkbox"/>	18	<a href="#">3906619</a>	Pipe Plug	1	1/8 NPT.
<input type="checkbox"/>	19	<a href="#">3908226</a>	Hexagon Flange Head Cap Screw	4	M10 X 1.50 X 95.
<input type="checkbox"/>	20	<a href="#">3910509</a>	Hose Clamp	2	1/4 - 7/8 in.
<input type="checkbox"/>	21	<a href="#">3910778</a>	Information Decal	1	

<input type="checkbox"/>		<a href="#">3922500</a>	Coolant Recovery Reservoir	1	
<input type="checkbox"/>	22	<a href="#">3921339</a>	Expansion Tank Cap	1	
	23	<a href="#">3921480</a>	Coolant Recovery Reservoir	1	
<input type="checkbox"/>	24	<a href="#">3922841</a>	Hose Clamp	1	
<input type="checkbox"/>	25	<a href="#">3922842</a>	Hose Clamp	1	
<input type="checkbox"/>	26	<a href="#">3922846</a>	Hose Clamp	2	
<input type="checkbox"/>	27	<a href="#">3922849</a>	Hose Clamp	4	
<input type="checkbox"/>	28	<a href="#">3924493</a>	Plain Hose	1	
<input type="checkbox"/>	29	<a href="#">3924944</a>	Plain Street Pipe Elbow	1	
<input type="checkbox"/>	30	<a href="#">4019401</a>	Flexible Hose	1	
<input type="checkbox"/>	31	<a href="#">4020094</a>	Molded Hose	1	
<input type="checkbox"/>	32	<a href="#">4020101</a>	Heat Exchanger	1	